



DATA SHEET

DAB PUMPS S. p. A.
Via Marco Polo, 14 - 35035 Mestrino (PD) - Italy
Ph. +39 049 9048811 - Fax +39 049 9048847
Http://www.dabpumps.com

14/07/2010

Receiver

From

Societa
Reference
Address
Telephone
Fax
E-mail

Item no. 5059386

Pump data :

Model :
DPH 15
Pressure rating : PN 10
Min. fluid temperature : -10 °C
Max. fluid temperature : 120 °C

Minimum suction head :

Temperature

°C	75	90	110	120
----	----	----	-----	-----

Minimum suction head

m	2	5	-	20
---	---	---	---	----

Requested data :

Flow : 0.00 m³/h
Head : 0.00 m
Fluid : Water, p
Fluid Temperature : 20 °C
Density : 998.3 kg/m³
Kinematic viscosity : 1.005 mm²/s
Vapor pressure : 100.00 kPa

Available data :

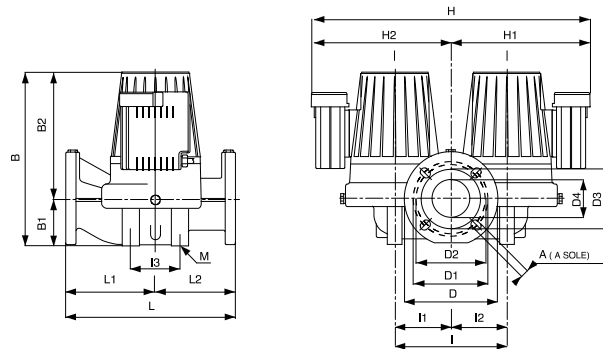
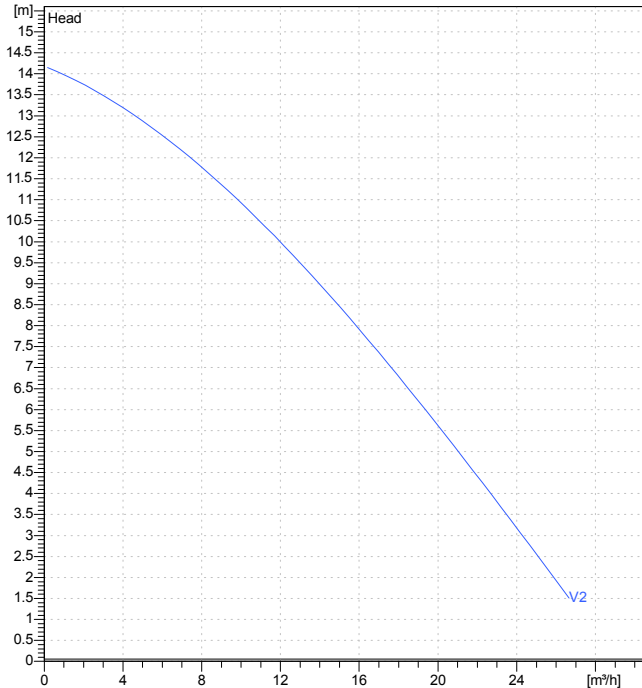
Flow :
Head :
Speed : 2553 rpm

Materials :

Pump body : Cast iron 200 UNI ISO 185
Impeller : Technopolymer B
Motor shaft : AISI 420 C bonofic
Air vent plug : Brass P Cu Zn40 Pb2 UNI 5705
OR gasket : Ety ilene propylene (EPDM)
Motor casing : Die cast aluminium
Stator liner : AISI 321Bon. - AISI 304

Motor data :

Trade mark : DAB
Nominal power P2 : 0.98 kW
Rated speed : 2553 rpm
Rated voltage : 3~ 230 V 50 Hz
Nominal current : 2.9 A
Degree of protection : IP 42



Dimension

mm

A	18	D	165	D4	50	I	240
B	358	D1	125	H	556	I1	120
B1	73	D2	110	H1	278	I2	120
B2	285	D3	90	H2	278	I3	120

Weight : 49 kg

Pump connection :

Suction side : DN 50 / PN 10
Discharge side : DN 50 / PN 10



PERFORMANCE CURVES

14/07/2010

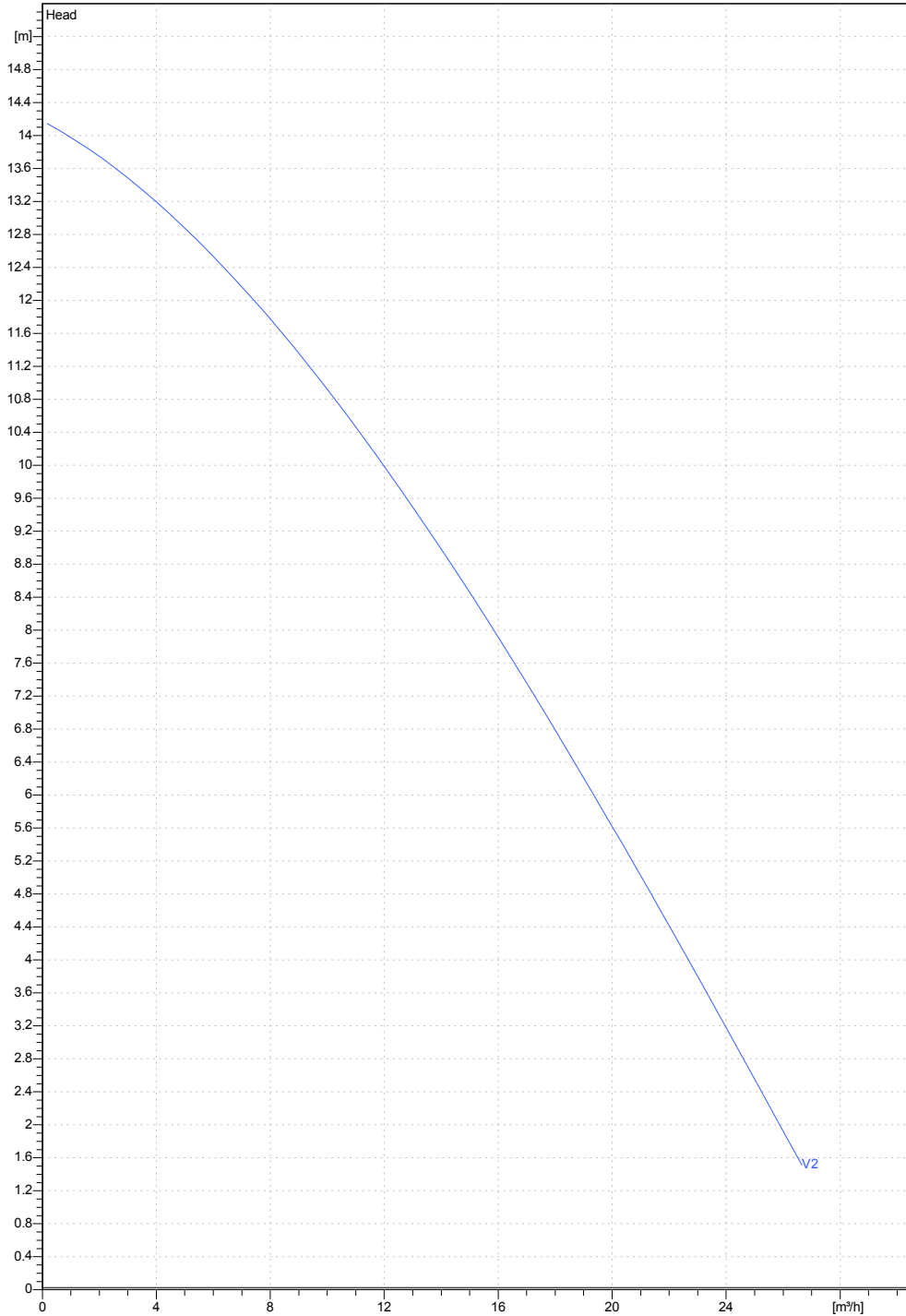
DAB PUMPS S. p. A.
Via Marco Polo, 14 - 35035 Mestrino (PD) - Italy
Ph. +39 049 9048811 - Fax +39 049 9048847
Http://www.dabpumps.com

Receiver

From

Societa
Reference
Address
Telephone
Fax
E-mail

DPH 150/280.50 T



Available data :

Suction side : DN 50/ PN 10	Discharge side : DN 50/ PN 10	Flow : 0 m³/h	Head : 0 m	Speed 2553 rpm
Project	Project ID	Created by	Created on 14.07.2010	



DIMENSIONAL DRAWING

DAB PUMPS S. p. A.
Via Marco Polo, 14 - 35035 Mestrino (PD) - Italy
Ph. +39 049 9048811 - Fax +39 049 9048847
Http://www.dabpumps.com

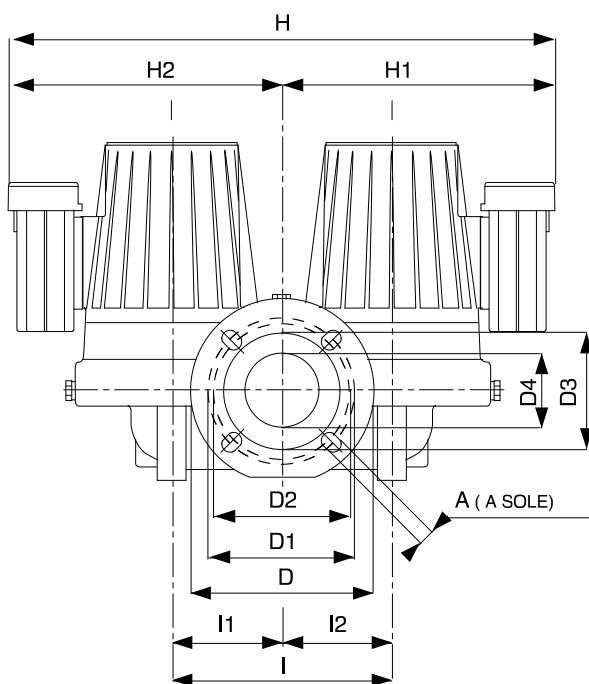
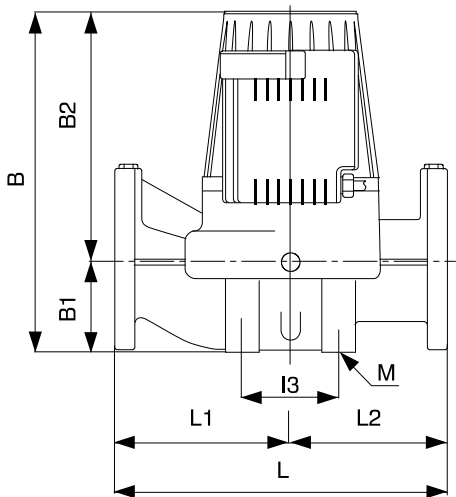
14/07/2010

Receiver

From

Societa
Reference
Address
Telephone
Fax
E-mail

DPH 150/280.50 T



Dimensions in mm

Pump connection :

1
2
3
4
5
6
7
8
9
10

A
B
B1
B2
D
D1
D2
D3
D4
H

18
358
73
285
165
125
110
90
50
556

H1
H2
I
I1
I2
I3
L
L1
L2
M

278
278
240
120
120
120
280
130
150
M14

Suction
DN 50
PN 10

Discharge
DN 50
PN 10

Project

Project ID

Created by

Created on

14.07.2010