



# DATA SHEET

DAB PUMPS S. p. A.  
Via Marco Polo, 14 - 35035 Mestrino (PD) - Italy  
Ph. +39 049 9048811 - Fax +39 049 9048847  
Http://www.dabpumps.com

14/07/2010

Receiver

From

Societa  
Reference  
Address  
Telephone  
Fax  
E-mail

Item no. 5051341

**Pump data :**

Model :  
VA 65/1  
Pressure rating : 10 bar (  
Min. fluid temperature : -10 °C  
Max. fluid temperature : 110 °C

**Minimum suction head :**

Temperature °C 90  
Minimum suction head m 2.5

**Requested data :**

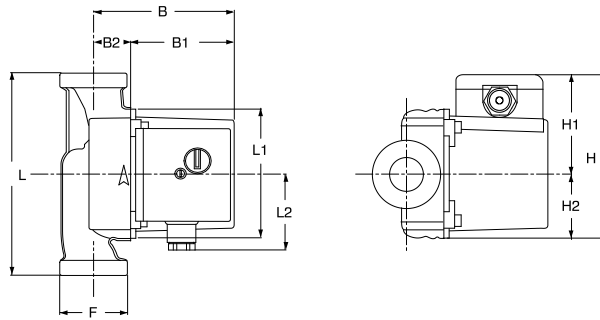
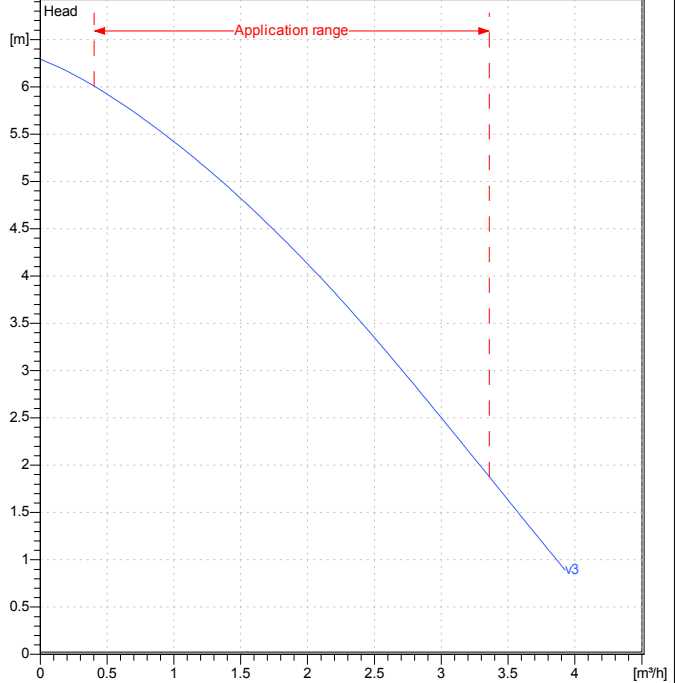
Flow : 0.00 m³/h  
Head : 0.00 m  
Fluid : Water, p  
Fluid Temperature : 20 °C  
Density : 998.3 kg/m³  
Kinematic viscosity 1.005 mm²/s  
Vapor pressure : 100.00 kPa

**Available data :**

Flow :  
Head :  
Speed 2100 rpm

**Materials :**

Pump body Cast iron  
Impeller Technopolymer  
Motor shaft Stainless steel  
Air vent plug Brass  
OR gasket Etylene propylene  
Motor casing Die cast aluminium  
Stator liner Stainless steel



**Motor data :**

Trade mark : DAB  
Nominal power P2 : 0.044 kW  
Rated speed: 2100 rpm  
Rated voltage : 1~ 230 V 50 Hz  
Nominal current : 0.45 A  
Degree of protection : IP 44

**Dimension**

**mm**

B	104	H	124	L1	98		
B1	78	H1	75	L2	60		
B2	26	H2	49				
F	1" 1/2 G L		180				

**Weight :** 3.15 kg

**Pump connection :**

Suction side : / 10 bar (  
Discharge side : / 10 bar (



# PERFORMANCE CURVES

14/07/2010

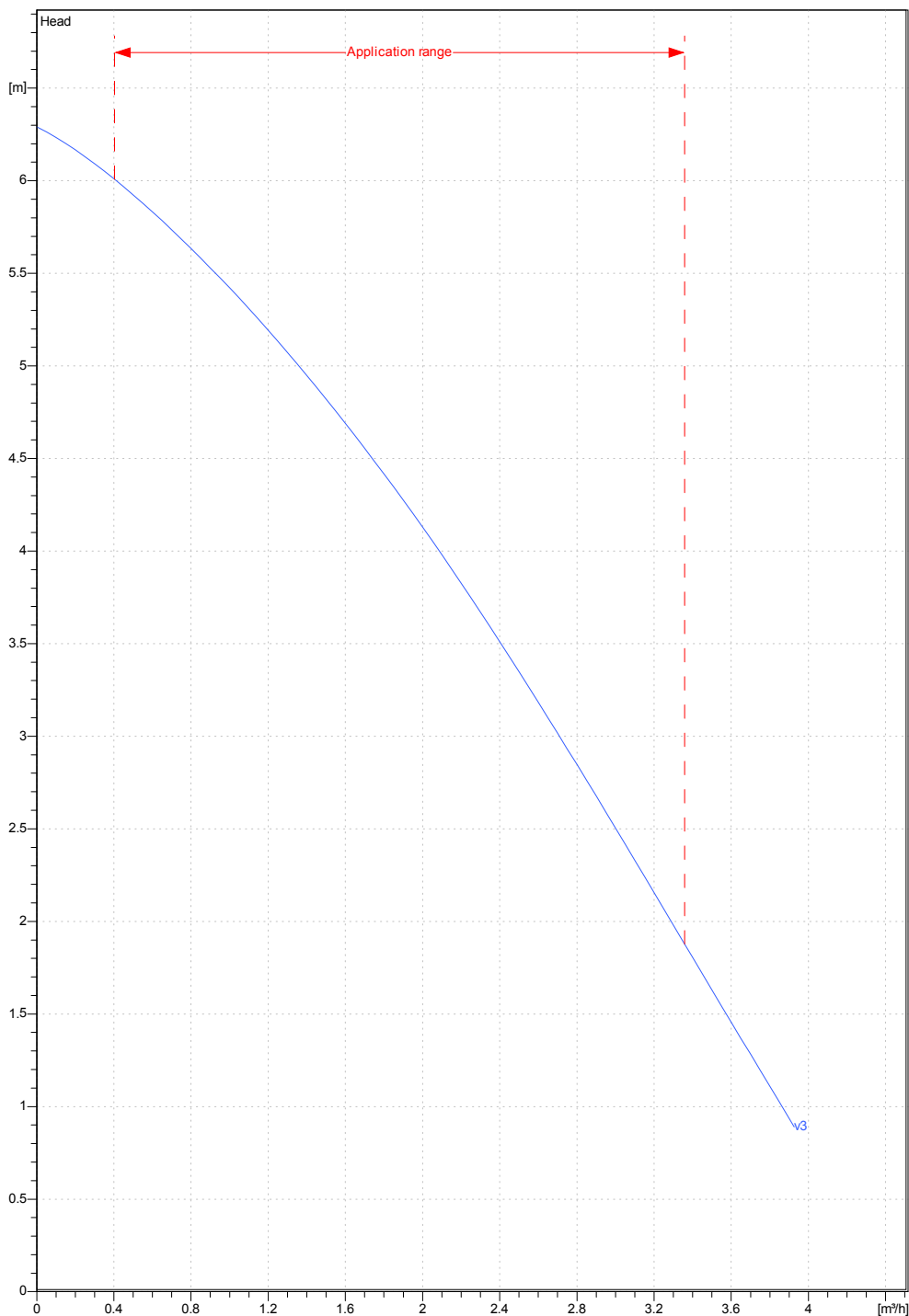
DAB PUMPS S. p. A.  
Via Marco Polo, 14 - 35035 Mestrino (PD) - Italy  
Ph. +39 049 9048811 - Fax +39 049 9048847  
Http://www.dabpumps.com

Receiver

From

Societa  
Reference  
Address  
Telephone  
Fax  
E-mail

## VA 65/180



Available data :

Suction side : / 10 bar (	Discharge side : / 10 bar (	Flow : 0 m³/h	Head : 0 m	Speed 2100 rpm
Project	Project ID	Created by	Created on <b>14.07.2010</b>	



**DIMENSIONAL DRAWING**

14/07/2010

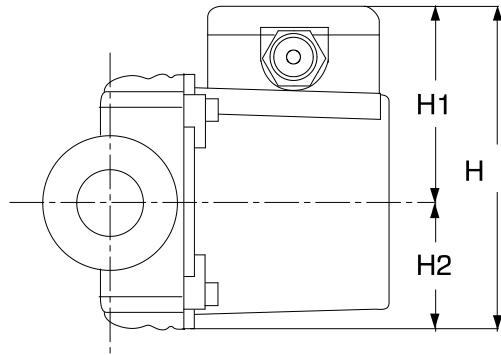
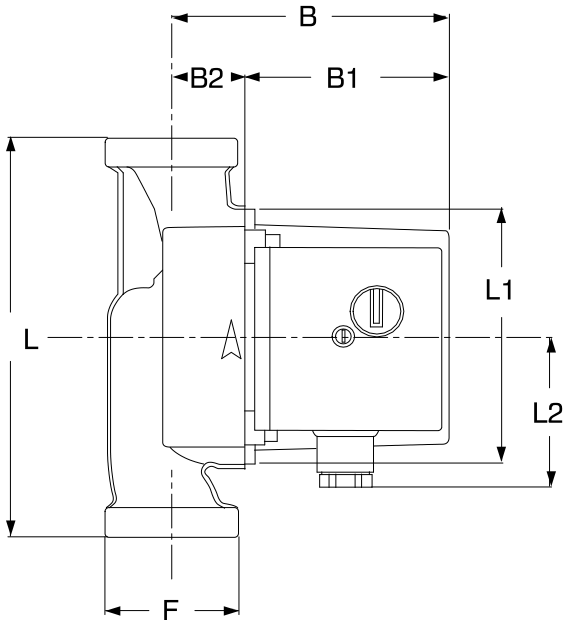
DAB PUMPS S. p. A.  
Via Marco Polo, 14 - 35035 Mestrino (PD) - Italy  
Ph. +39 049 9048811 - Fax +39 049 9048847  
Http://www.dabpumps.com

Receiver

From

Societa  
Reference  
Address  
Telephone  
Fax  
E-mail

**VA 65/180**



**Dimensions in mm**

**Pump connection :**

1	B	104										
2	B1	78										
3	B2	26										
4	F	1" 1/2 G										
5	H	124										
6	H1	75										
7	H2	49										
8	L	180										
9	L1	98										
10	L2	60										

Suction  
1" 1/2 G  
10 bar (

Discharge  
1" 1/2 G  
10 bar (

Project	Project ID	Created by	Created on <b>14.07.2010</b>
---------	------------	------------	---------------------------------