



DATA SHEET

DAB PUMPS S. p. A.
Via Marco Polo, 14 - 35035 Mestrino (PD) - Italy
Ph. +39 049 9048811 - Fax +39 049 9048847
Http://www.dabpumps.com

02/07/2010

Receiver

From

Societa
Reference
Address
Telephone
Fax
E-mail

Item no. 5057000

Pump data :

Model : VS 35/1
Pressure rating : 10 bar ()
Min. fluid temperature : -10 °C
Max. fluid temperature : 85 °C

Minimum suction head :

Temperature °C 60
Minimum suction head m 1.5

Requested data :

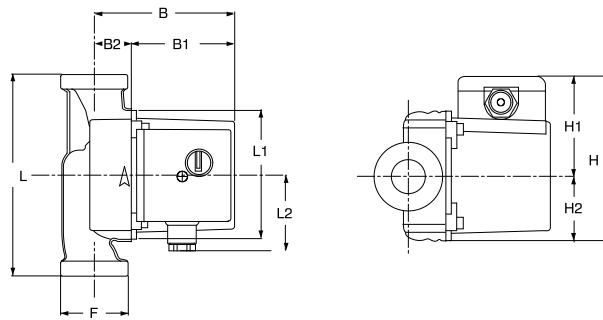
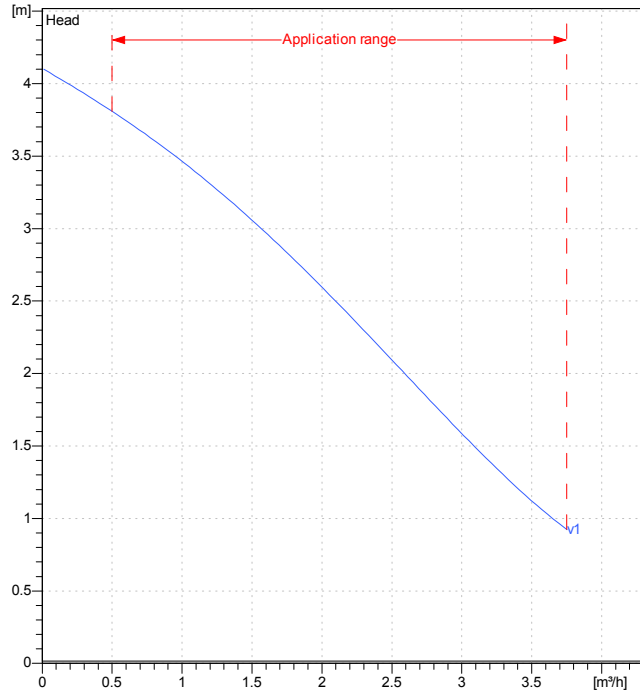
Flow : 0.00 m³/h
Head : 0.00 m
Fluid : Water, p
Fluid Temperature : 20 °C
Density : 998.3 kg/m³
Kinematic viscosity 1.005 mm²/s
Vapor pressure : 100.00 kPa

Available data :

Flow :
Head :
Speed 2360 rpm

Materials :

Pump body Bronze
Impeller Technopolymer
Motor shaft Ceramic
Air vent plug Brass
OR gasket Etylene propylene
Motor casing Die cast aluminium
Stator liner Stainless steel



Motor data :

Trade mark : DAB
Nominal power P2 : 0.023 kW
Rated speed: 2360 rpm
Rated voltage : 1~ 230 V 50 Hz
Nominal current : 0.32 A
Degree of protection : IP 44

Dimension

mm

B	104	H	124	L1	98		
B1	78	H1	75	L2	60		
B2	26	H2	49				
F	1" 1/2 G	L	150				

Weight : 2.6 kg

Pump connection :

Suction side : / 10 bar ()
Discharge side : / 10 bar ()



PERFORMANCE CURVES

02/07/2010

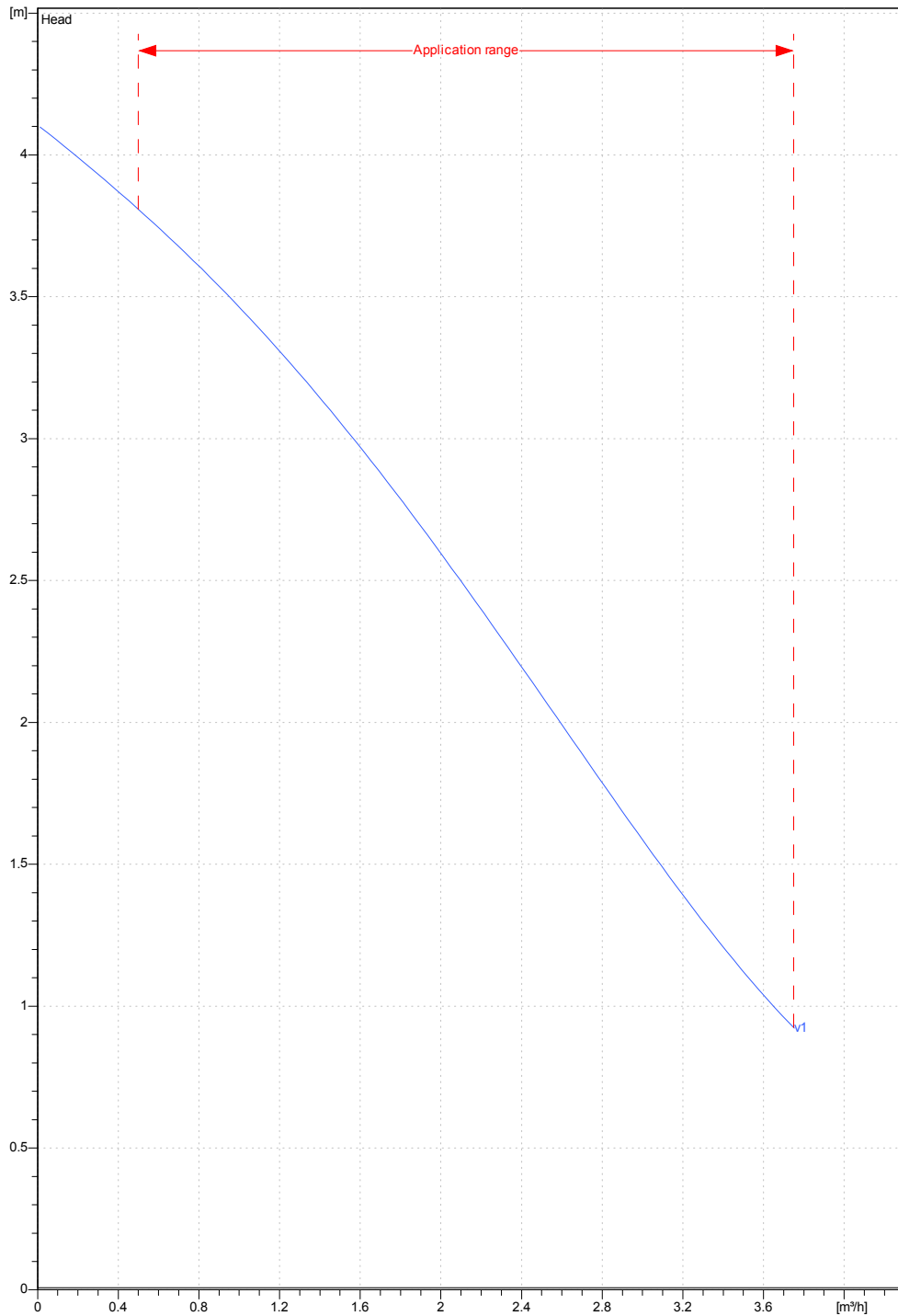
DAB PUMPS S. p. A.
Via Marco Polo, 14 - 35035 Mestrino (PD) - Italy
Ph. +39 049 9048811 - Fax +39 049 9048847
Http://www.dabpumps.com

Receiver

From

Societa
Reference
Address
Telephone
Fax
E-mail

VS 35/150



Available data :

Suction side : / 10 bar (Discharge side : / 10 bar (Flow : 0 m ³ /h	Head : 0 m	Speed 2360 rpm
Project	Project ID	Created by	Created on 02.07.2010	

