

Stainless steel distributor/collector 1" "Multidis SH" for radiator connection



The Oventrop Quality Management System is certified to DIN-EN-ISO 9001

Technical information

Tender specification:

Stainless steel distributor/collector "Multidis SH" for radiator connection, pre-assembled.

k_{VS} value: 2.8 m³/h
(one heating circuit connection)

Max. working temperature: 100°C

Max. working pressure: 6 bar

Flow distributor and return collector made of stainless steel (1.4301)

with nipples with 3/4" male threaded connection for Oventrop compression fittings, with collar nut with 1" female thread for the direct connection of the flat sealing ball valves, with vent plug 1/2" with rotating outlet, with blind plugs 1/2" and 3/4". All brass components are nickel plated.

Brackets made of galvanised steel for the installation of the distributor/collector in the cabinet or on the wall are loosely added. The sound-insulation of the brackets corresponds to DIN 4109, sound insulation in building construction.

Application:

The Oventrop distributors/collectors are designed for hot water heating systems with circulation pump. They may be used for both, one and two pipe systems.

In two pipe systems, one radiator per outlet is directly connected to the supply and return pipe of the distributor/collector. If several radiators are to be supplied via one circuit, the Oventrop programme offers the so-called "h-system".

In one pipe systems, a hydronic balancing of the individual risers at the distributor/collector may become necessary. In this case, the return collector additionally has to be equipped with return flow lockshield valves "Combi 2", item no. 140 11 94.

The use of Oventrop compression fittings allows a free choice regarding the material and dimension of the connecting pipes between the distributor/collector and the radiators.

The Oventrop composition pipe "Copipe" sized 14 x 2 mm, 16 x 2 mm, 18 x 2 mm and 20 x 2.5 mm enables a fast and safe installation.

For copper and soft steel pipes with an outer diameter of 10 to 18 mm, compression fittings are available. When using soft pipes or pipes with a wall thickness of 1 mm or less, reinforcing sleeves have to be used.

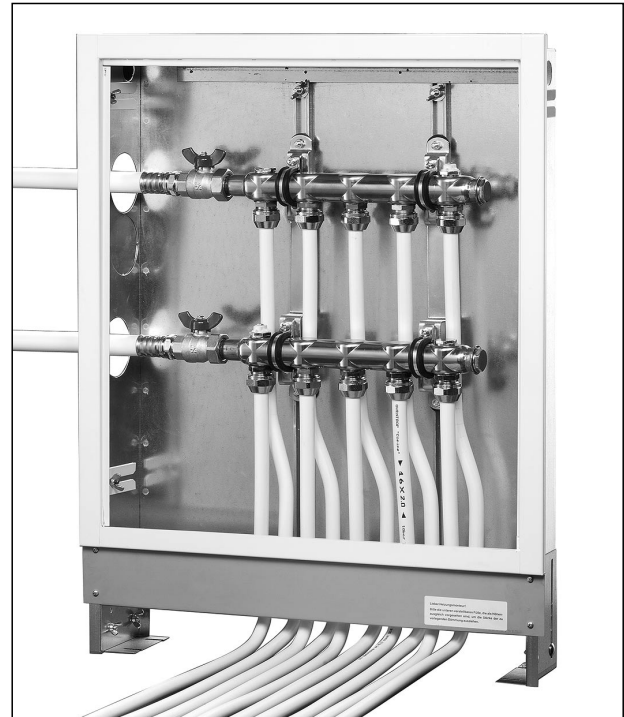
The compression fittings for plastic pipes made of crosslinked polyethylene and polybutene cover the outer diameter dimensions of 12 to 20 mm.

The supply and the return pipe may be connected either to the left or the right hand side of the ball valve 1".

The brackets allow the fixing of the distributor/collector into the cabinet or onto the wall.

When using a heat meter, its installation length has to be taken into consideration for the choice of the cabinet. To enlarge the depth of the cabinet, the frame and the door have to be pulled out.

The supply of the stainless steel distributor/collector "Multidis SH" may be equipped with the ball valve DN 25 with temperature sensor connection M 30 x 1, item no. 140 67 08.



Stainless steel distributor/collector "Multidis SH"



Ball valve DN 20/DN 25, flat sealing

Function:

The Oventrop stainless steel distributors/collectors "Multidis SH" allow a central distribution of the heating water to the different radiators of each zone.

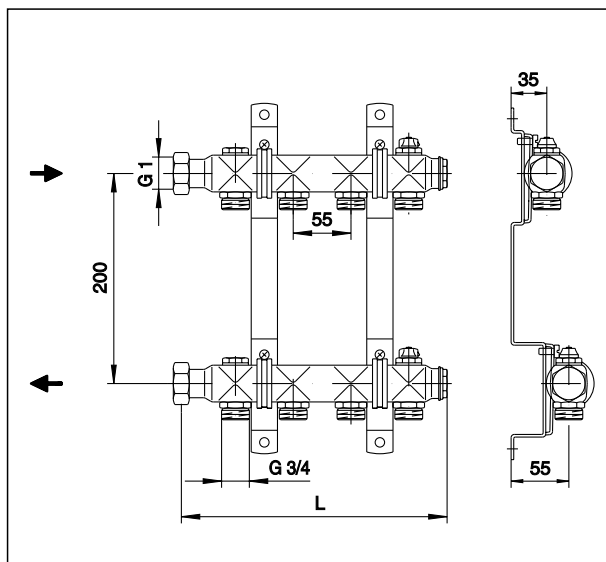
It is recommended to equip the distributor/collector with ball valves, e.g. item nos. 140 63 83 or 140 63 84. The enable the isolation of the supply and the return pipe, e.g. for maintenance work.

The installation may be bled during the filling process and when the heating system is in operation by using the vent plug.

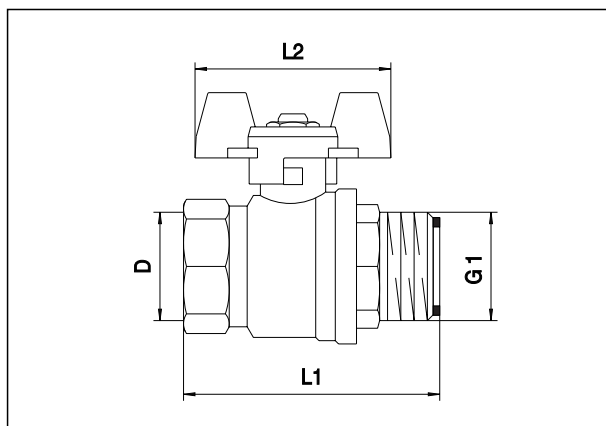
Advantages:

- all necessary components delivered by one supplier
- time-saving installation due to pre-assembled complete distributors/collectors, no sealing required
- first class, long-life distributors/collectors made of stainless steel
- corrosion resistant
- good hydronic values
- small depth
- free choice of pipe material
- possibility of connecting a heat meter for the central registration of the heat output
- wide-range programme for radiator connection
- the Oventrop "Combi-System" with the composition pipe "Copipe", the press fittings "Cofit P" and the screwed fittings "Cofit S" allows a fast and safe connection of the stainless steel distributor/collector "Multidis SH" to the riser and to the radiator

Dimensions:



Item no.	Outlets	Length (L)	Length with ball valves 140 63 84
140 70 52	2	145 mm	225 mm
140 70 53	3	200 mm	280 mm
140 70 54	4	255 mm	335 mm
140 70 55	5	310 mm	390 mm
140 70 56	6	365 mm	445 mm
140 70 57	7	420 mm	500 mm
140 70 58	8	475 mm	555 mm
140 70 59	9	530 mm	610 mm
140 70 60	10	585 mm	665 mm
140 70 61	11	640 mm	720 mm
140 70 62	12	695 mm	775 mm



Item no.	Size	D	L1	L2
140 63 83	DN 20	3/4"	55 mm	55 mm
140 63 84	DN 25	1"	80 mm	60 mm

Subject to technical modification without notice.

Product range 1
ti 76-1/10/MW
Edition 2006

OVENTROP UK LTD.
Unit I – The Loddon Centre
Wade Road
Basingstoke, Hampshire RG24 8FL
Great Britain
Telephone (0 12 56) 330441
Telefax (Sales) (012 56) 330525
Telefax (General) (012 56) 470970
E-Mail sales@oventrop.co.uk

F. W. OVENTROP GmbH & Co. KG
Paul-Oventrop-Straße 1
D-59939 Olsberg
Germany
Telephone (02962) 82-0
Telefax (02962) 82-450
E-Mail mail@oventrop.de
Internet www.oventrop.de