

Stainless steel distributor/collector 1" "Multidis SF" for surface heating and cooling systems



The Oventrop Quality Management System is certified to DIN-EN-ISO 9001

Technical information

Tender specification:

Stainless steel distributor/collector "Multidis SF" for surface heating and cooling systems, type 140 41 and 140 42, with valve inserts M 30 x 1.5 convertible to thermostatic operation and integrated "flowmeters" for measurement and control of the flow rate, pre-assembled.

Max. working temperature: 70°C
 Max. working pressure: 6 bar
 Max. differential pressure: 1 bar
 kvs value: 0.9 m³/h (type 140 42, with "flowmeters" 0.6-2.4 l/min.)
 kvs value: 1.2 m³/h /type 140 41, with "flowmeters" 1-4 l/min.)

Stainless steel flow distributor (1.4301)

with valve inserts M 30 x 1.5, with nickel plated nipples, 3/4" male threaded connection for Oventrop compression fittings, with nickel plated collar nut with 1/2" female thread for the direct connection of a flat sealing ball valve, e.g. Oventrop item no. 140 63 83 or 140 63 84, with nickel plated fill and drain valve, with connection for a DN 15 hose connection, e.g. Oventrop item no. 103 45 52, with nickel plated vent plug 1/2" with rotating outlet, with nickel plated blind plug 3/4".

Stainless steel return collector (1.4301)

with integrated "flowmeters" for measurement and control of the flow rate with lockshield caps, with nickel plated nipples with 3/4" male threaded connection for Oventrop compression fittings, with nickel plated collar nut 1" with female thread for the direct connection of a flat sealing ball valve, e.g. Oventrop item no. 140 63 83 or 140 63 84, with nickel plated fill and drain valve, with connection for a DN 15 hose connection, e.g. Oventrop item no. 103 45 52, with nickel plated vent plug 1/2" with rotating outlet, with nickel plated blind plug 3/4".

Brackets made of galvanised steel for the installation of the distributor/collector in the cabinet or onto the wall are loosely added. The sound-insulation of the brackets corresponds to DIN 4109, sound-insulation in building construction.

Stainless steel distributor/collector "Multidis SF" for surface heating and cooling systems, type 140 40, with valve inserts M 30 x 1.5 convertible to thermostatic operation and integrated regulating inserts, pre-assembled.

Max. working temperature: 70°C
 Max. working pressure: 6 bar
 Max. differential pressure: 1 bar
 kvs value: 1.9 m³/h (type 140 40, with regulating inserts)

Stainless steel flow distributor (1.4301), like type 140 41/140 42.

Stainless steel return collector (1.4301) with integrated regulating inserts, other details like type 140 41/140 42.

Brackets like type 140 41/140 42.

Application:

The Oventrop distributors/collectors are designed for surface heating and cooling systems with circulation pump. They are part of the Oventrop surface heating and cooling system "Cofloor".

The supply and the return pipe may be connected either on the left or right hand side.

The brackets allow the fixing of the distributor/collector into the cabinet or directly onto the wall.

When using a heat meter, its lengths have to be taken in consideration when choosing the cabinet. To enlarge the depth of the cabinet, the frame and the door have to be pulled out.



Stainless steel distributor/collector type 140 41 and 140 42



Stainless steel distributor/collector type 140 40



Ball valve DN 20/DN 25, flat sealing

The ball valve DN 25 with sensor connection M 10 x 1, item no. 140 67 08, can be used at the supply of the stainless steel distributor/collector "Multidis SF".

Oventrop offers suitable compression fittings for all types of pipe, e.g. composition pipe "Copipe", PE-X pipe "Copex" and copper pipe.

The installation instructions are to be observed.

Function:

The Oventrop stainless steel distributors/collectors "Multidis SF" allow a central distribution of the heating/cooling water to the different heating circuits of each living zone.

It is recommended to equip the distributors/collectors with ball valves, e.g. item no. 140 63 83 or 140 63 84. They enable the isolation of the supply and the return pipe, e.g. for maintenance work.

For filling and flushing the heating circuits, the distributor/collector is equipped with fill and drain valves with a connection for a DN 15 hose connection, e.g. Oventrop item no. 103 45 52.

The installation may be bled during the filling process and when the heating system is in operation via the vent plug.

The hydronic balancing of the installation is carried out with the help of the integrated inserts of the return collector.

As for the distributors/collectors type 140 41 and 140 42, the calculated flow rate is set at the handwheel of the "flow-meter". The set value can be read off the viewing glass with scale (type 140 41: 1 – 4 l/min., type 140 42: 0.6 – 2.4 l/min.). A lockshield cap serves to avoid unauthorised tampering of the set value.

As for the distributor/collector type 140 40, regulation is carried out according to the chart shown below. The calculated flow rate is set at the hidden stem of the regulating insert. A reproducible presetting is possible.

Oventrop offers a calculation programme for the design of a surface heating with composition pipe "Copipe".

The valve inserts M 30 x 1.5 in the supply pipe which are convertible to thermostatic operation allow the individual room temperature control prescribed in the Energy Saving Directive.

The Oventrop electrothermal actuators and room thermostats or thermostats with remote control (see catalogue "Products" product range 13) are used for this purpose.

Advantages:

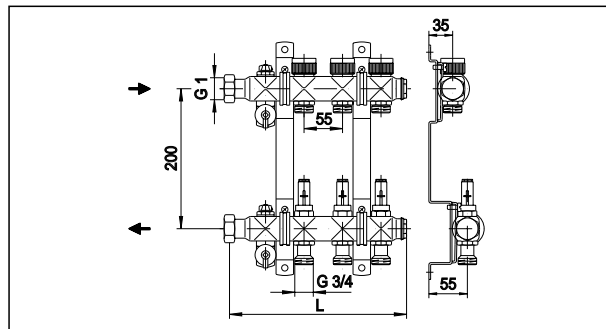
- all components from one supplier
- time-saving installation due to pre-assembled complete distributors/collectors, no sealing required
- hydronic balancing as well as the regulation of the surface heating and cooling system may be carried out at the compact, central distributor/collector
- stainless steel distributors/collectors guarantee a high quality standard
- corrosion resistant
- good hydronic values
- small depth even when installing electrothermal actuators
- possibility of connecting a heat meter for the central registration of the heat output
- the Oventrop "Combi-System" with the composition pipe "Copipe", the press fittings "Cofit P" and the screwed fittings "Cofit S" allows a fast and safe connection of the distributor/collector to the risers
- the Oventrop programme includes PE-X pipes "Copex" and composition pipes "Copipe" as well as suitable pipe connection fittings for the surface heating and cooling circuits
- standard pipe of other manufacturer may also be connected with Oventrop pipe connection fittings

OVENTROP UK LTD.

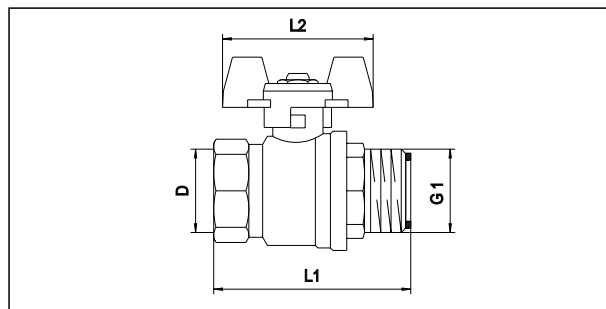
Unit 1 – The Loddon Centre
 Wade Road
 Basingstoke, Hampshire RG24 8FL
 Great Britain
 Telephone (01256) 330441
 Telefax (Sales) (01256) 330525
 Telefax (General) (01256) 470970
 E-Mail sales@oventrop.co.uk

F. W. OVENTROP GmbH & Co. KG
 Paul-Oventrop-Straße 1
 D-59939 Olsberg
 Germany
 Telephone (02962) 82-0
 Telefax (02962) 82-450
 E-Mail mail@oventrop.de
 Internet www.oventrop.de

Dimensions:



Item no.	Outlets	Length (L)	Length with ballvalves 140 63 84
140 40/41/42 52	2	200 mm	280 mm
140 40/41/42 53	3	255 mm	335 mm
140 40/41/42 54	4	310 mm	390 mm
140 40/41/42 55	5	365 mm	445 mm
140 40/41/42 56	6	420 mm	500 mm
140 40/41/42 57	7	475 mm	555 mm
140 40/41/42 58	8	530 mm	610 mm
140 40/41/42 59	9	585 mm	665 mm
140 40/41/42 60	10	640 mm	720 mm
140 40/41/42 61	11	695 mm	775 mm
140 40/41/42 62	12	750 mm	830 mm



Item no.	Size	D	L1	L2
140 63 83	DN 20	3/4"	55 mm	55 mm
140 63 84	DN 25	1"	80 mm	60 mm

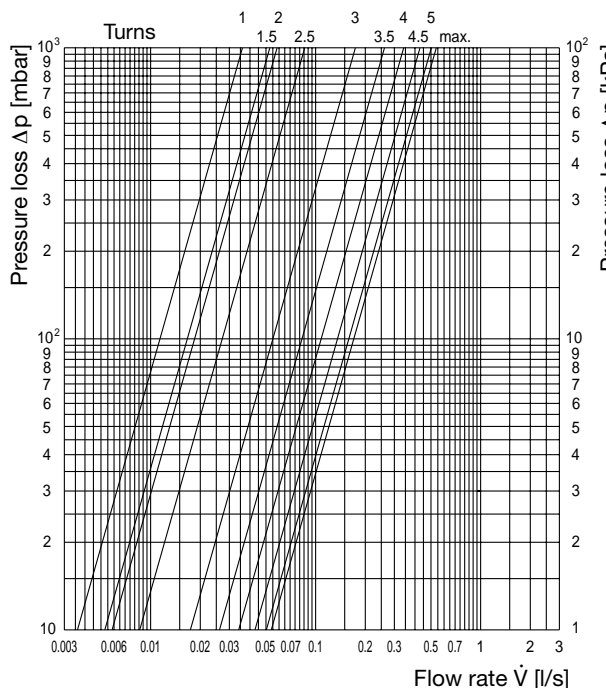


Chart for distributor/collector type 140 40: valve insert open and regulating insert for different presettings

Subject to technical modification without notice

Product range 13
 ti 77-1/10/MW
 Edition 2006