



The Oventrop Quality Management System is certified to DIN-EN-ISO 9001

Valve inserts for radiators with integrated distributor

Technical information

Tender specification:

Oventrop valve inserts for radiators with integrated distributor and connection thread 1/2".

Type GH with 6 presetting positions

Range of setting visible from the outside, presetting by use of the tool, item no. 118 39 61.

for front connection	101 80 80
for seat diameter 16 H 11	101 80 82
with internal O-ring	101 80 83

Type GHF with fine presetting

With hidden presetting, presetting by use of the tool, item no. 118 07 91.

for front connection	101 80 90
for seat diameter 16 H11	101 80 97

Installation and fitting:

The Oventrop valve inserts item nos. 101 80 80 and 101 80 90 are suitable for the following radiator types:

- | | | |
|-------------------|-----------------|----------|
| - Arbonia | - Dia-therm | - Radson |
| - bremono | - HM-Heizkörper | - Rettig |
| - Caradon-Stelrad | - Hoval | - Runtal |
| - DEF | - Itemar/Biasi | - Vasco |
| - Demrad | - Manaut | |
| - DiaNorm | - Purmo | |

The Oventrop valve inserts item nos. 101 80 82 and 101 80 97 are suitable for the following radiator types:

- | | | |
|------------|----------|--------|
| - Baufa | - Korado | - VEHA |
| - Brugman | - Ribe | |
| - DeLonghi | - Thor | |

The Oventrop valve insert item no. 101 80 83 is suitable for the following radiator types:

- | | | |
|---------------|--------|-----------|
| - Ferroli/IMA | - DURA | - Schäfer |
| - Superia | | |

Other valve inserts for radiators are planned.

The connection thread for the thermostat is M 30 x 1.5. All Oventrop thermostats of the series XH, CH, LH, SH and DH may be used.

Please ensure that fitting of the inserts must be made under clean conditions. Screw valve insert into the radiator and tighten with a 19 mm box spanner to approx. 35 Nm.

Type GH: Setting 6 of type GH corresponds to the normal setting (factory setting).

The hydronic values correspond to those of the insert 4324-03.300 of the company Heimeier.

Set type GH to the desired presetting by using a 13 mm spanner or the Oventrop presetting key, item no. 118 39 61.

The flow ranges succeed uninterrupted, intermediate positions are neither required nor permissible.

Type GHF: The inserts type GHF are supplied in open position. The hydronic values correspond to those of the Oventrop valves of the "Series F".

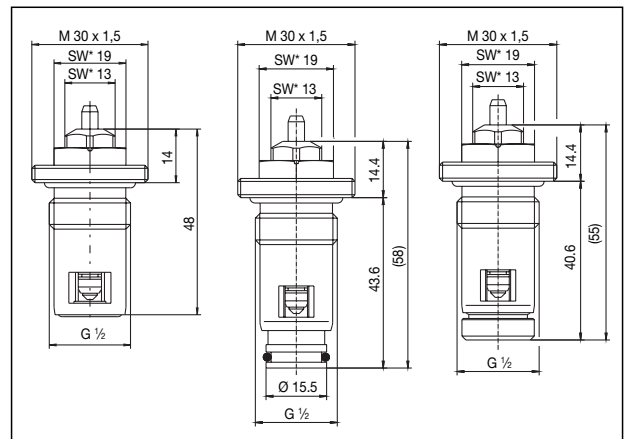
Set type GHF to the desired presetting by using the Oventrop presetting key, item no. 118 07 91. The desired setting must be in line with the indicator mark.

Accessories:

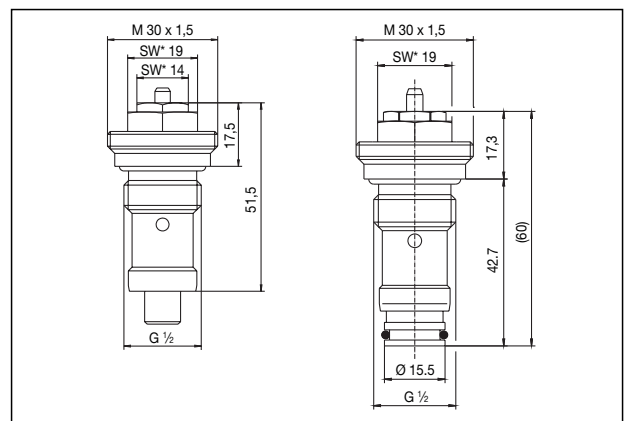
Designation	Item no.
Presetting key for GH	118 39 61
Presetting key for GHF	118 07 91
Thermostats "Uni XH", "Uni LH", "Uni CH", "Uni SH"	
Thermostats "Uni XH", "Uni LH", "Uni CH" with remote sensor	



Dimensions:



Type GH, item nos. 101 80 80/82/83

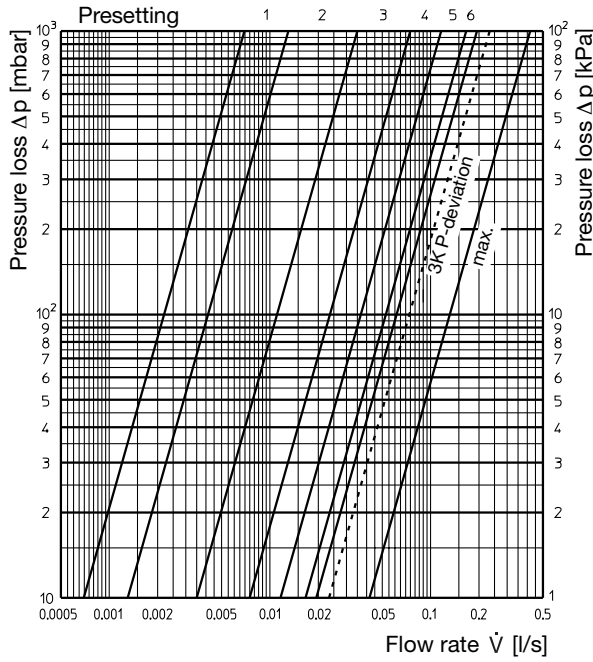


Type GHF, item nos. 101 80 90/97

*SW = spanner size

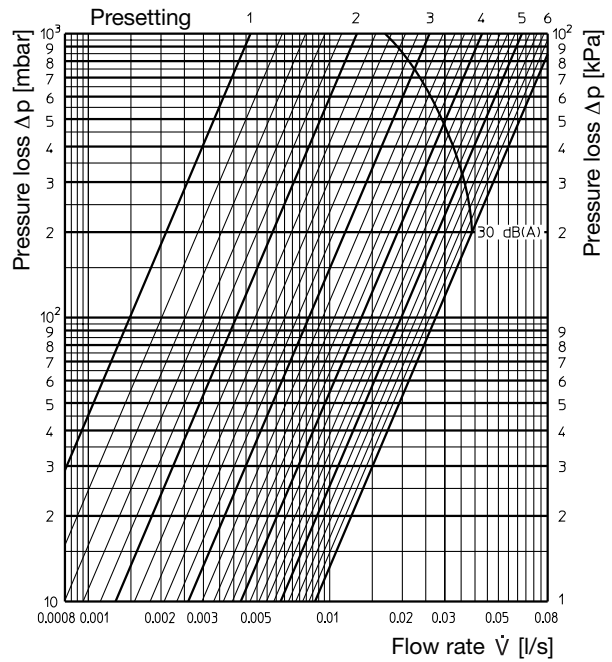
Performance data type GH:

Chart: Flow rate depending on pressure loss at 2K P-deviation

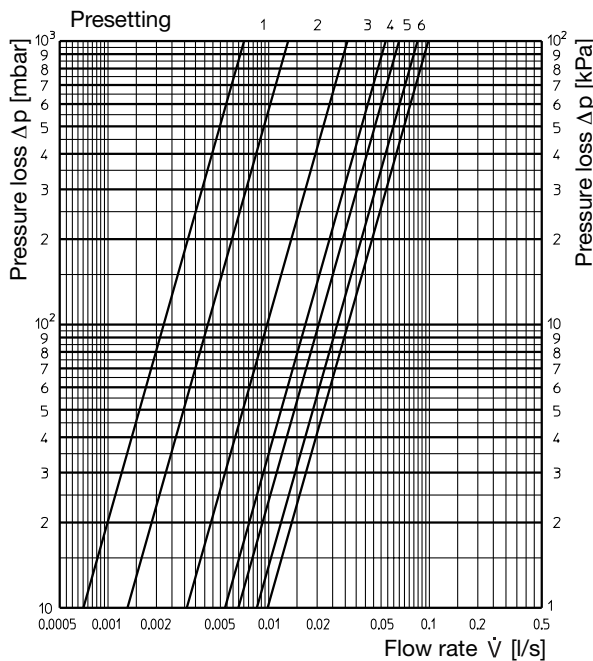


Performance data type GHF:

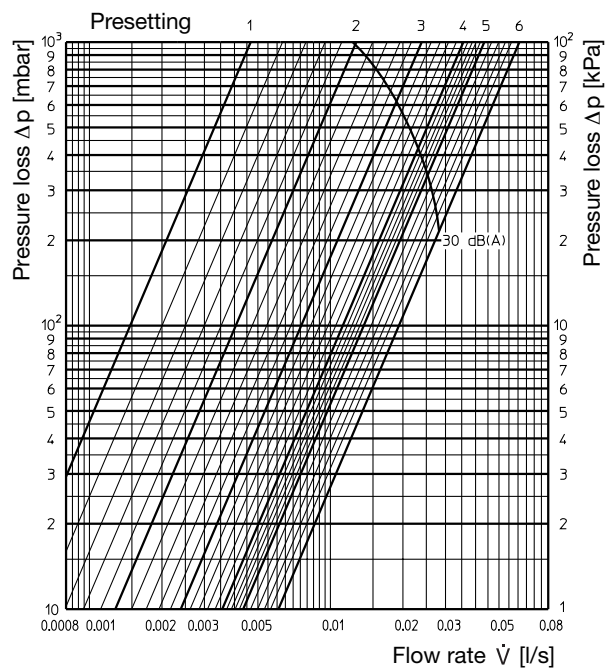
Chart: Flow rate depending on pressure loss at 2K P-deviation



1 K P-deviation



1 K P-deviation



Presetting	1	2	3	4	5	6
k_V value at 1K P-deviation	0.047	0.11	0.19	0.23	0.30	0.35
k_V value at 1,5K P-deviation	0.047	0.126	0.25	0.35	0.45	0.53
k_V value at 2K P-deviation	0.047	0.126	0.269	0.417	0.6	0.7
k_V value at 3K P-deviation						0.84
k_{Vs}						1.5

Presetting	1	2	3	4	5	6
k_V value at 1K P-deviation	0.017	0.047	0.088	0.131	0.16	0.22
k_V value at 1,5K P-deviation	0.017	0.047	0.095	0.152	0.20	0.29
k_V value at 2K P-deviation	0.017	0.047	0.095	0.152	0.228	0.32
k_{Vs}						0.37

Subject to technical modification without notice.

Product range 1
ti 94-1/10/MW
Edition 2006

F. W. OVENTROP GmbH & Co. KG
Paul-Oventrop-Straße 1
D-59939 Olsberg
Germany
Telephone (02962) 82-0
Telefax (02962) 82-450
E-Mail mail@oventrop.de
Internet www.oventrop.de

OVENTROP UK LTD.
Unit 1 – The Loddon Centre
Wade Road
Basingstoke, Hampshire RG24 8FL
Great Britain
Telephone (01256) 330441
Telefax (Sales) (01256) 330525
Telefax (General) (01256) 470970
E-Mail sales@oventrop.co.uk