

Control unit "Regufloor H" for surface heating systems



The Oventrop Quality Management System is certified to DIN-EN-ISO 9001

Technical information

Application:

Control unit DN 25 for surface heating systems in connection with stainless steel distributors/collectors item nos. 140 40, 140 41 and 140 42.

Max. working pressure: 6 bar

Max. differential pressure: 0.75 bar

Max. flow temperature:

Primary side: 90°C

Secondary side: 50°C

Control range: 20°C – 50°C

Electric sensor for attachment to the pipe

Temperature range: 20°C – 90°C

k_{VS} value: 4

Performance range: up to 15 kW or up to 200 m² heating surface with a heat demand of about 75 W/m²

Dimensions: see dimensional drawing, minimum depth of 145 mm required inside the cabinet

Item no.: 115 10 00

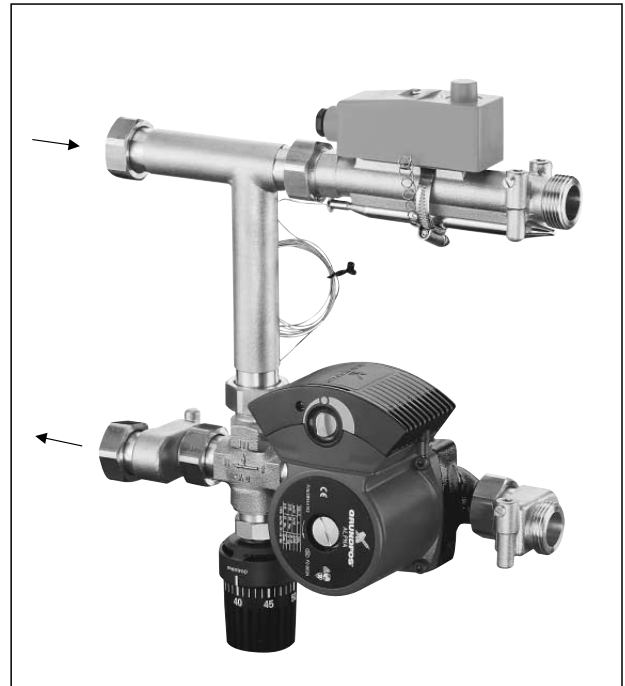
Tender specification:

Control unit for flow temperature control in surface heating systems in connection with the stainless steel distributors/collectors item nos. 140 40, 140 41 and 140 42 consisting of:

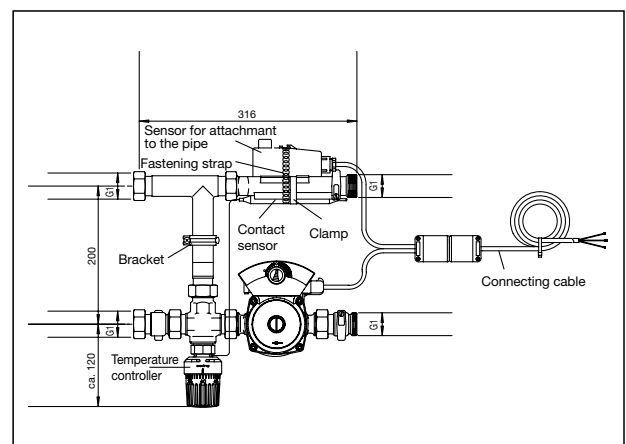
Connection fittings, three-way valve, check valve, temperature controller with contact sensor, electric sensor for attachment to the pipe as protection against excess temperature, electronically controlled pump. Pre-assembled and leak tested.

Function:

The control unit allows the connection of the surface heating to the heating system. The three-way valve controls the set flow temperature. Temperature is detected by the contact sensor. The electric sensor for attachment to the pipe protects the surface heating circuit from inadmissible high temperatures. The Grundfos pump "Alpha" controls the pump output according to the hot water demand.



Dimensions:



Subject to technical modification without notice.

Product range 13
ti 151-1/10/MW
Edition 2006

OVENTROP UK LTD.
Unit 1 – The Loddon Centre
Wade Road
Basingstoke, Hampshire RG24 8FL
Great Britain
Telephone (0 1256) 330441
Telefax (Sales) (0 1256) 330525
Telefax (General) (0 1256) 47 09 70
E-Mail sales@oventrop.co.uk

F. W. OVENTROP GmbH & Co. KG
Paul-Oventrop-Straße 1
D-59939 Olsberg
Germany
Telephone (02962) 82-0
Telefax (02962) 82-450
E-Mail mail@oventrop.de
Internet www.oventrop.de