



# DATA SHEET

DAB PUMPS S. p. A.  
Via Marco Polo, 14 - 35035 Mestrino (PD) - Italy  
Ph. +39 049 9048811 - Fax +39 049 9048847  
Http://www.dabpumps.com

14/07/2010

Receiver

From

Societa  
Reference  
Address  
Telephone  
Fax  
E-mail

Item no. 5059296

**Pump data :**

Model :  
BPH 18  
Pressure rating : PN 10  
Min. fluid temperature : -10 °C  
Max. fluid temperature : 120 °C

**Minimum suction head :**

Temperature

°C	75	90	110	120
----	----	----	-----	-----

Minimum suction head

m	2	5	-	20
---	---	---	---	----

**Requested data :**

Flow : 0.00 m<sup>3</sup>/h  
Head : 0.00 m  
Fluid : Water, p  
Fluid Temperature : 20 °C  
Density : 998.3 kg/m<sup>3</sup>  
Kinematic viscosity : 1.005 mm<sup>2</sup>/s  
Vapor pressure : 100.00 kPa

**Available data :**

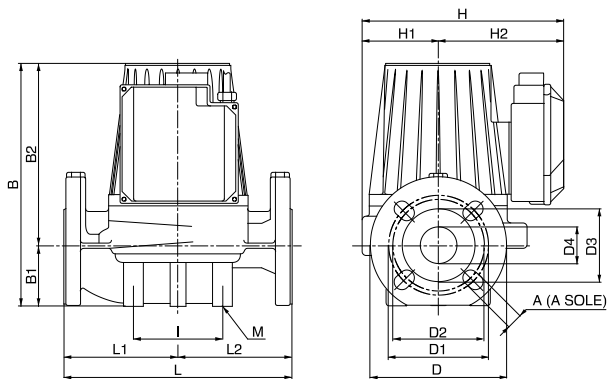
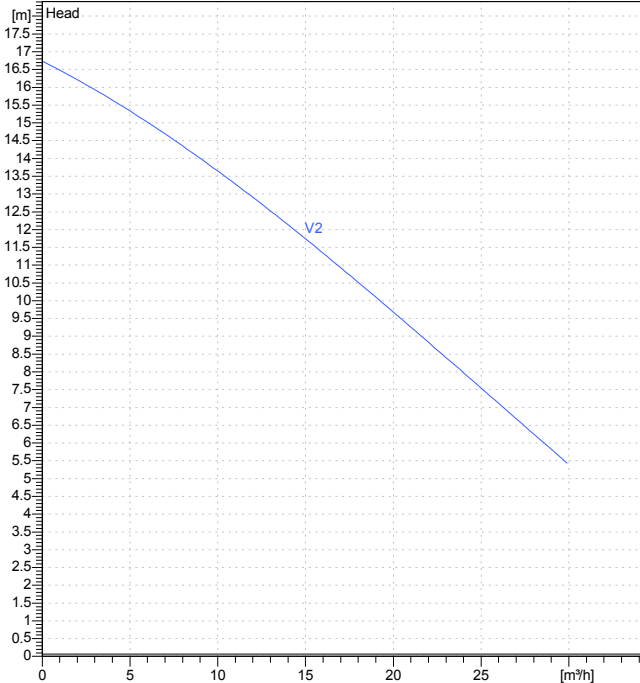
Flow :  
Head :  
Speed : 2520 rpm

**Materials :**

Pump body : Cast iron 200 UNI ISO 185  
Impeller : Technopolymer B  
Motor shaft : AISI 420 C bonofic  
Air vent plug : Brass P Cu Zn40 Pb2 UNI 5705  
OR gasket : Ety ilene propylene (EPDM)  
Motor casing : Die cast aluminium  
Stator liner : AISI 321Bon. - AISI 304

**Motor data :**

Trade mark : DAB  
Nominal power P2 : 1.059 kW  
Rated speed : 2520 rpm  
Rated voltage : 3~ 230 V 50 Hz  
Nominal current : 3 A  
Degree of protection : IP 42



**Dimension**

mm

A	18	D	165	D4	50	I	100
B	362	D1	125	H	254	I1	-
B1	73	D2	110	H1	96	I2	-
B2	289	D3	90	H2	158	I3	-

Weight : 26 kg

**Pump connection :**

Suction side : DN 50 / PN 10  
Discharge side : DN 50 / PN 10



# PERFORMANCE CURVES

14/07/2010

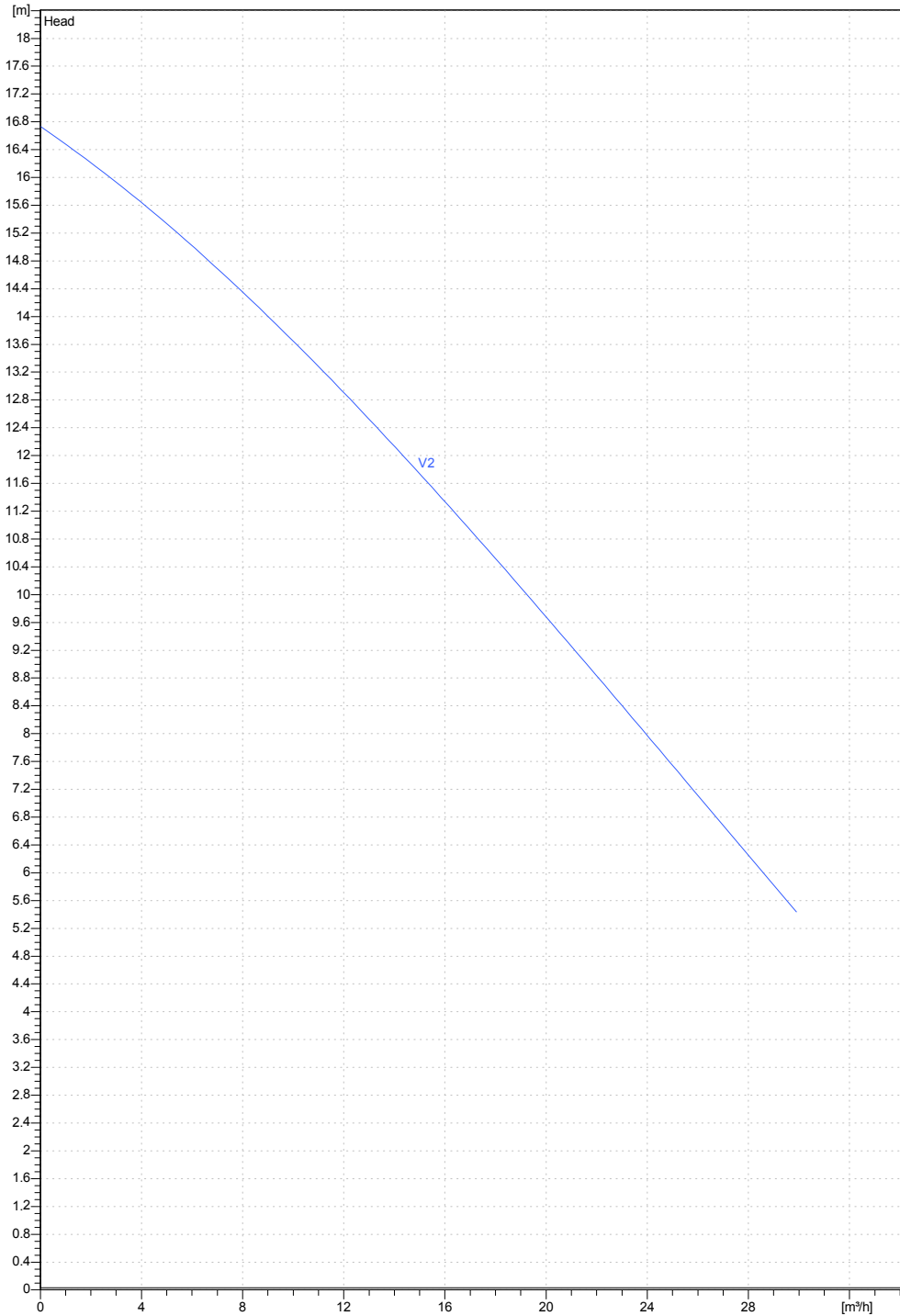
DAB PUMPS S. p. A.  
Via Marco Polo, 14 - 35035 Mestrino (PD) - Italy  
Ph. +39 049 9048811 - Fax +39 049 9048847  
Http://www.dabpumps.com

Receiver

From

Societa  
Reference  
Address  
Telephone  
Fax  
E-mail

## BPH 180/280.50 T



Available data :

Suction side : DN 50/ PN 10	Discharge side : DN 50/ PN 10	Flow : 0 m³/h	Head : 0 m	Speed 2520 rpm
Project	Project ID	Created by	Created on <b>14.07.2010</b>	

